

Brass Case Liquid Filled



300 SERIES

- High quality liquid-filled gauges for reliable service on applications not corrosive to brass
- Vacuum and compound through 15,000 psi
- 1-1/2", 2", 2-1/2", 4" sizes – bottom, back, left and right side connections
- Wetted materials phosphor bronze or 316 stainless steel and brass depending on the pressure range
- Panel mount clamp and front flange mounting
- Standard UV-resistant dials are dual scale in psi and kPa (kilopascals); dual scale psi/bar and psi/kg/cm² are available in most popular ranges
- Stock availability

OPERATING SPECIFICATIONS

1. Working Pressure Limitations

a. Dynamic Pressure

The working pressure should be limited to 60% of the dial range for long service life.

b. Static Pressure

The working pressure, where no sharp fluctuations occur, should be limited to 90% of the dial range

2. Ambient Temperature

0 °F to 160 °F (-18 °C to 71 °C)

Please contact us for assistance in selecting the best fill for your application.

3. Media Temperature

-4 °F to 140 °F (-20 °C to 60 °C)

Optional temperature ratings available from -40 °F to 212 °F (-40 °C to 100 °C)

APPLICATIONS

- Used in demanding applications that are not corrosive to brass, where vibration and pulsation are present

ACCURACY

- 2-1/2" 300 Series gauges: ±1.5%
- 4" 300 Series gauges: ±1.0%

For details on accuracy/standard dial configuration and dial layouts, see pages 76-81.

	MODELS	SPECIFICATIONS
Case	25-300, 25-310, 40-300, 40-310	Die cast brass – natural brass finish
Cover ring	25-300, 25-310, 40-300, 40-310	Polished brass
Lens	25-300, 25-310, 40-300, 40-310	Molded acrylic with o-ring seal
Bourdon tube	25-300, 25-310 (≤ 600 psi)	Phosphor bronze "C" tube
	25-300, 25-310 (800 psi to 6,000 psi)	Phosphor bronze coiled safety tube
	25-300, 25-310 (7,500 psi to 15,000 psi)	316 stainless steel coiled safety tube
	40-300, 40-310 (≤ 1,000 psi)	Phosphor bronze "C" tube
	40-300, 40-310 (15,000 psi)	316 stainless steel coiled safety tube
Connection	25-300, 25-310	1/4" NPT die-cast brass with the case. 7/16" – 20 SAE adjustable type straight thread with FKM O-Ring is also available as a stock option on many ranges (-4 SAE).
	40-300, 40-310	1/4" NPT die-cast brass with the case. 1/2" NPT is available on certain 40-300 ranges as a stock option, and on all other 40-300 and 40-310's as a non-stock option.
Movement	25-300, 25-310, 40-300, 40-310	Brass and nickel-silver with highly polished bearing surfaces
Safety protection	25-300, 25-310, 40-300, 40-310	Safety relief disc on the top of the case
Accuracy	25-300, 25-310	± 1.5% full scale ASME B40.1 Grade A
	40-300, 40-310	± 1% full scale ASME B40.1 Grade 1A
Pointer	25-300, 25-310, 40-300, 40-310	Balanced aluminum, black finish
Dial	25-300, 25-310, 40-300, 40-310	Aluminum, white background with black markings. Single scale psi is standard. psi/bar, psi/kPa, or psi/Kg/cm ² dual scale are available as stock options. On dual scale dials, the outer scale is psi in black and the inner metric scale is red. UV resistant.
Fill liquid	25-300, 25-310, 40-300, 40-310	Glycerine and water

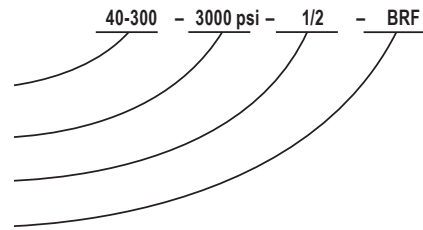
ORDERING INFORMATION															
SERIES	300														
SIZES	25	2-1/2"	40	4"											
CASE TYPES	300	Brass, bottom connection		310	Brass, back connection										
PRESSURE RANGES	30vac	-30 inHg to 0 psi		30/300	-30 inHg to 0 to 300 psi		300	0 psi to 300 psi	3000	0 psi to 3,000 psi					
	30/15	-30 inHg to 0 to 15 psi		15	0 psi to 15 psi		400	0 psi to 400 psi	5000	0 psi to 5,000 psi					
	30/30	-30 inHg to 0 to 30 psi		30	0 psi to 30 psi		600	0 psi to 600 psi	6000	0 psi to 6,000 psi					
	30/60	-30 inHg to 0 to 60 psi		60	0 psi to 60 psi		800	0 psi to 800 psi	7500	0 psi to 7,500 psi					
	30/100	-30 inHg to 0 to 100 psi		100	0 psi to 100 psi		1000	0 psi to 1,000 psi	10000	0 psi to 10,000 psi					
	30/160	-30 inHg to 0 to 160 psi		160	0 psi to 160 psi		1500	0 psi to 1,500 psi	15000	0 psi to 15,000 psi					
	30/200	-30 inHg to 0 to 200 psi		200	0 psi to 200 psi		2000	0 psi to 2,000 psi							
SCALE OPTIONS	psi	psi single scale		psi/kPa	psi/kPa dual scale		psi/kg/cm ²	psi/kg/cm ² dual scale		psi/bar	psi/bar dual scale				
CONNECTION SIZES	1/4	1/4" NPT			1/2	1/2" NPT			SST			SAE J1926-3:7/16-20 Adjustable			
OPTIONS	CFF	Chrome Front Flange			RF	Rear Flange			GLO	Glass Lens Overlay			ST	Stainless Steel Tagging	
	CFFN	Chrome Front Flange w/o holes			CCR	Chrome Cover Ring			SGO	Safety Glass Overlay			BT3	Brass Threaded Orifice 0.3 mm	
	BFF	Brass Front Flange			CBU	Chrome Bezel & U-Clamp			AR	Adapter Ring			BT4	Brass Threaded Orifice 0.4 mm	
	BLFF	Black Front Flange			MIP	Maximum Indicating Pointer			LM	Laser Marking			BT8	Brass Threaded Orifice 0.8 mm	
	SSRF	304SS Rear Flange			LL	Polycarbonate Lens									

Please consult your local NOSHOK Distributor or NOSHOK, Inc. for availability and delivery information.

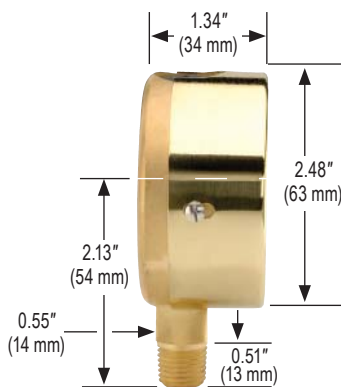
NOTE: Refer to 300 Series Options & Accessories chart on page 67 for availability by model number.

EXAMPLE

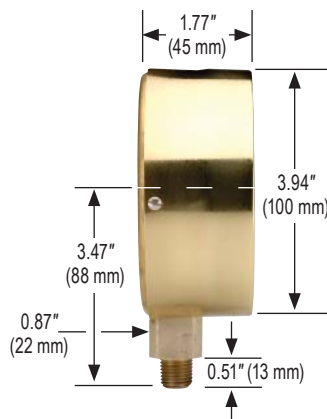
1. Select model number (size & case type)
2. Select pressure range & scale option
3. Select connection size (if more than one is offered)
4. Select any required accessory or option



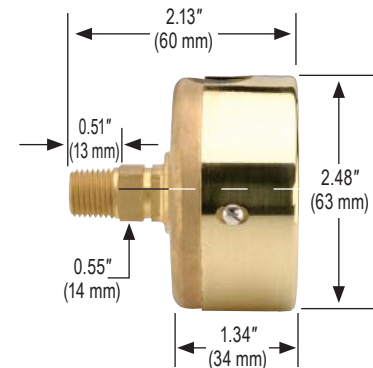
25-300



40-300

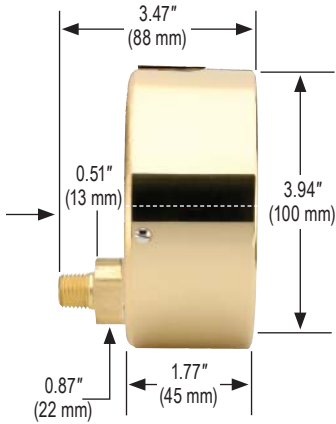


25-310

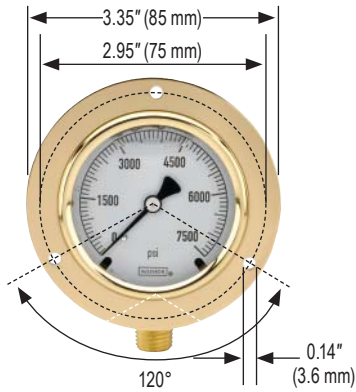


Dimensions

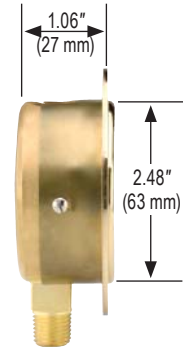
40-310



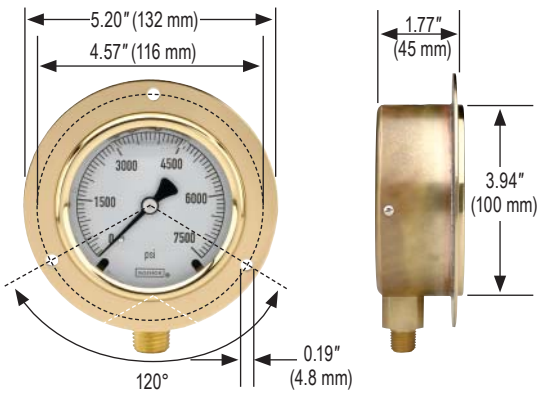
25-300 Front Flange



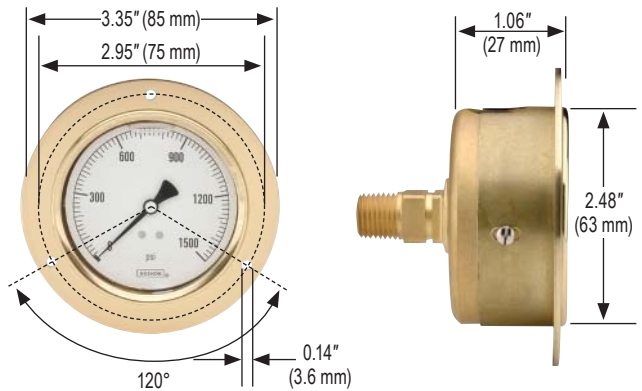
25-300



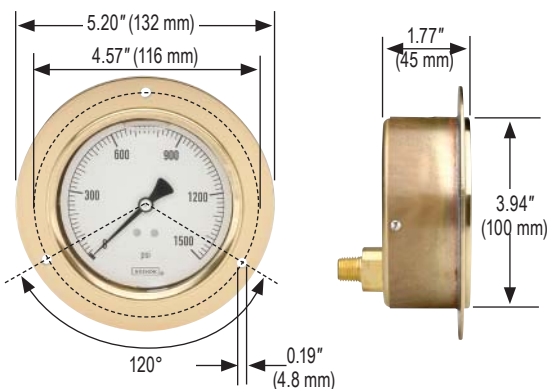
40-300 Front Flange



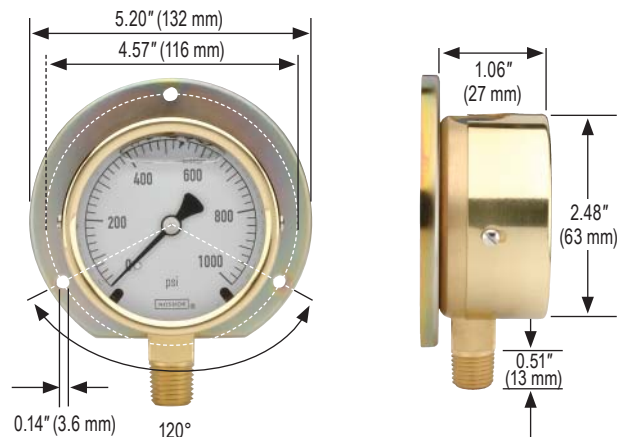
25-310 Front Flange



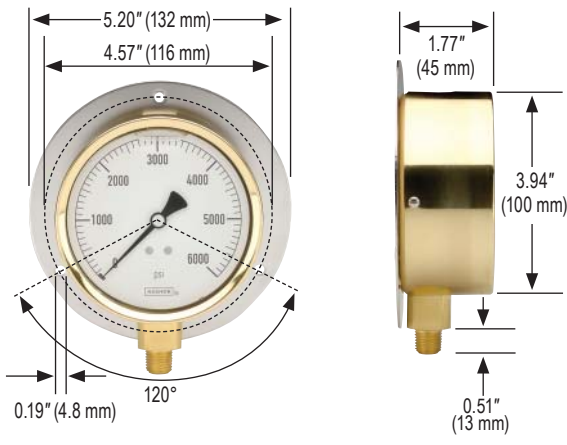
40-310 Front Flange



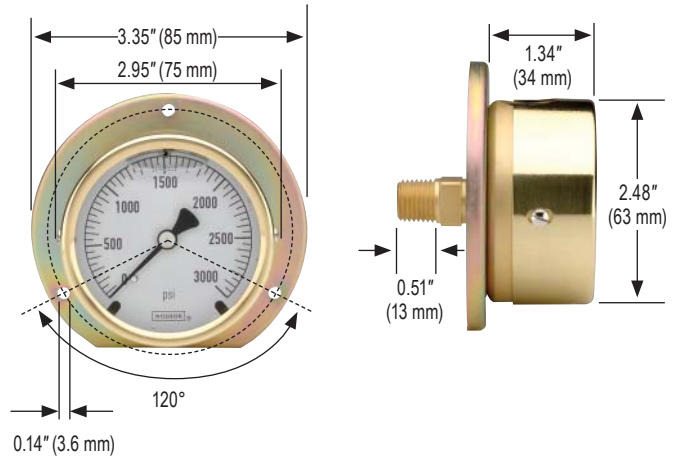
25-300 Rear Flange



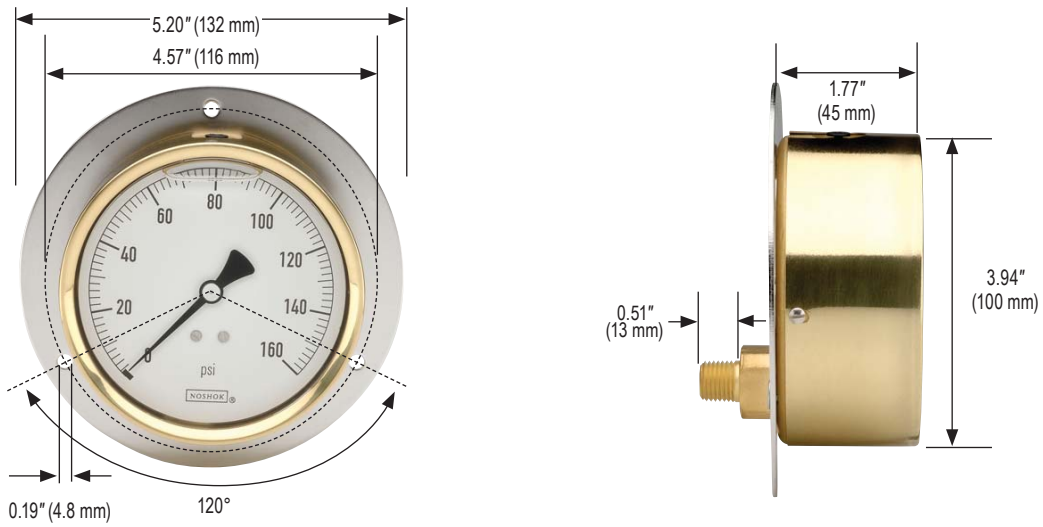
40-300 Rear Flange



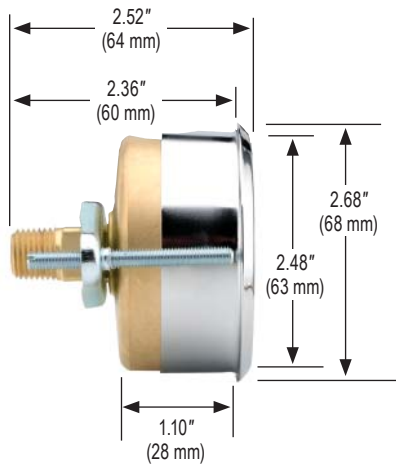
25-310 Rear Flange



40-310 Rear Flange



25-310 Chrome Triangular Bezel with U-Clamp



40-310 Chrome Triangular Bezel with U-Clamp

